



Powerful Solutions

# EagleEyes CCTV

## SECURITY SOLUTIONS AND TECHNOLOGIES

### Keyboard with Touch Screen

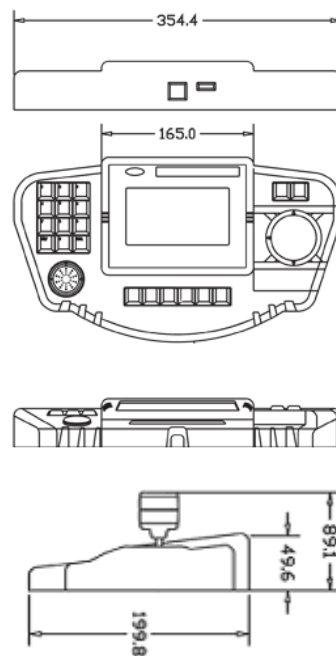
- Locking monitor and camera control.
- Convenient control by 5.5 Inch Touch Screen
- Controls up to 512 cameras.
- Controls maximum 32 monitors (when connecting with matrix)
- Controls maximum 64 DVR
- Pan/ Tilt/ Zoom controlled by 3-axis joystick.
- Max. 500 Preset widens the surveillance area.
- PAN/ TILT Swing (Auto Pan)
- 12 Group-Tour
- Set and Run the Tour
- Set and Run PTZ Trace.
- Set up on OSD menu of the camera.
- Set and Run Spiral.
- Gearing with alarm receiver unit(controls 512 Sensors)
- Controls DVR with Jog-shuttle

EE-KB500



### TECHNICAL SPECIFICATION

Classification	Specification
Output Signal	• RS – 422 • RS – 485
Communication speed	• Speed 9,600, 4,800, 2,400BPS, No parity, 8Bit data, 1Bit stop
Operation	<ul style="list-style-type: none"> <li>• Control Pan/Tilt /Zoom lens</li> <li>• Camera power On/Off , Light power On/Off , AUX On/Off</li> <li>• Alarm On/Off , Preset set/clear ,OSD</li> <li>• Control Matrix</li> <li>• Control DVRs</li> <li>• Main / Sub keyboard</li> </ul>
Operating Status	<ul style="list-style-type: none"> <li>• Display : LCD Display ( The way to select Menu )</li> <li>• Input : Number input by Key can be outputted.</li> <li>• Camera : If camera is called input data can be outputted.(1~256)</li> <li>• Monitor : If monitor is called input data can be outputted1-64)</li> <li>• Alarm : Alarm on / off</li> </ul>
Sound in Use	<ul style="list-style-type: none"> <li>• When pressing key : Make a buzz sound for about 0.5seconds.</li> <li>• When inputting wrong data : Make a buzz sound for 3 times.</li> <li>• If alarm is sounded when Alarm is on : it keeps making a warning beep sound</li> </ul>
Accessories	<ul style="list-style-type: none"> <li>• Body of keyboard -1-</li> <li>• Modular cable(RJ-45cable with 10M long) -1-</li> <li>• Data junction box -1-</li> <li>• DC 12V 1A Adaptor -1-</li> </ul>





Powerful Solutions

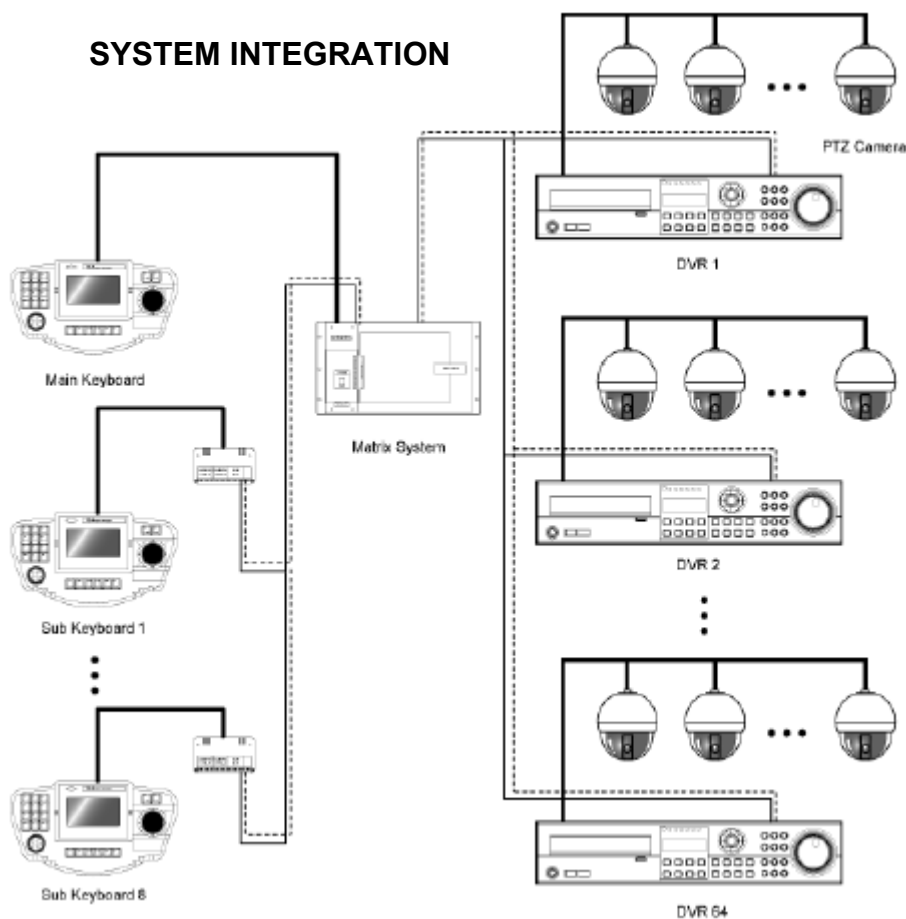
# EagleEyes CCTV

## SECURITY SOLUTIONS AND TECHNOLOGIES

<b>Package</b>
Junction Box, 5M cable (modular jacks both ends)
<b>Operating Distance</b>
Max. 1.2km (When using shielded twisted pair cable)
<b>Power</b>
DC12V, 1A
<b>Operating Condition</b>
0°C ~ +50°C
<b>Weight</b>
Approx. 3.5kg
<b>Dimensions</b>
(W) x(H) x (D)mm

<b>Control</b>
P/T/Z Control, Preset, Auto Pan, Group, Tour
<b>Connecting Unit</b>
CCTV Receiver, PTZ Cameras, DVR, Matrix
<b>Communication Method</b>
RS-485 (422)
<b>Communication Speed</b>
RS485 - 9600bps, N, 8, 1
<b>Alarm control</b>
Max 512 Ch
<b>Connector</b>
Modular cable connection with junction box

### SYSTEM INTEGRATION



Av. República Argentina, 50 • 15º andar  
 Curitiba PR 80240-210  
 Tel: (041) 3342 1600 • Fax: (041) 3244 2200  
 vendas@eaglevision.com.br • www.eaglevision.com.br

