



Powerful Solutions

EagleEyes CCTV

SECURITY SOLUTIONS AND TECHNOLOGIES

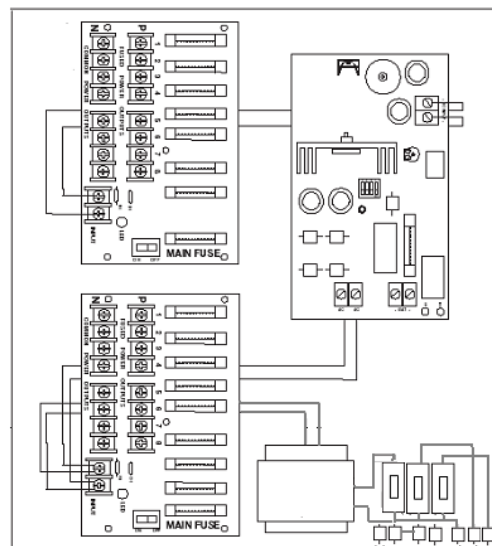
12~14VDC or 24VAC Power Supply

- Wall Mount 12~14VDC or 24VAC Switching Power
- Voltage input: 110VAC or 220VAC 50/60Hz 1.5A
- Voltage output: 12~14VDC 1A or 24VAC 1.5A each
- Individual Green LED for power indication
- Toroidal transformer for high efficiency and low operating temperature
- Surge protector integrated
- Carbon Steel Case indoor/outdoor use (IP65)
- 1.9mm thick steel case
- Filtered and electronically regulated outputs.
- Output fuses are rated @ 1 amp.
- Input fuses are rated @ 3.5 amp.
- AC/DC power LED indicator.
- Switch selection 12VDC or 14VDC (DC Series only)
- Dimension: 30x20x10cm
- Door lock Integrated
- Color: Epoxy Beige or Gray

Specifications:

- 10AMP 16 Port Voltage output
- Green LED ON: Output ok, LED not light: output failed
- Red LED ON: Major power supply normal, LED no light: Major power supply not normal (check output: power switch)
- Input AC Voltage: 100V or 240V switch.
- Output Voltage load: 12VDC Regulated or 24VAC.
- Individual current protection: 1.1A, (2.5A/4sec.)
- Max Output Current: 10AMP
- Individual output: standard output current 1AMP
- Individual PTC output protection.
- Individual current protection: 1.1A, (2.5A/4sec.)
- Built in surge protection

EE-FTWG1224-10



Av. República Argentina, 50 • 15° andar
Curitiba PR 80240-210
Tel: (041) 3342 1600 • Fax: (041) 3244 2200
vendas@eaglevision.com.br • www.eaglevision.com.br

