



Powerful Solutions

EagleEyes CCTV

SECURITY SOLUTIONS AND TECHNOLOGIES

CCTV Monitor 17" LCD Explosion-Proof

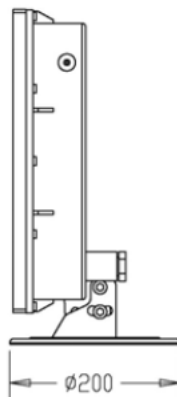
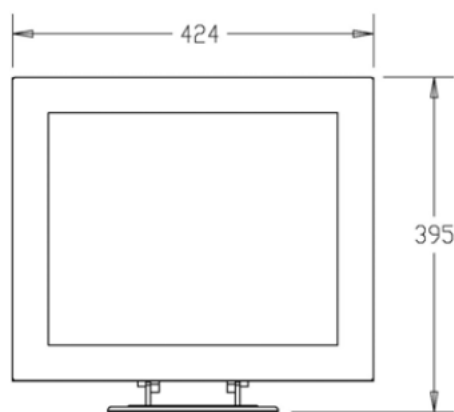
- Explosion-Proof LCD Monitor certificate Exd II BT6/DIP A21 TA,T6
- Stainless Steel 304 and 316L
- IP66 Protection
- Steel Glass front protection explosion proof
- NTSC/PAL Auto Detect
- Multi signal inputs supported - VGA (D-Sub), RCA(Composite Video)
- Support up to 1280 x 1024 SXGA High Resolution with Vivid Color
- Video Auto Adjust (VGA mode)
- High Contrast Ratio up to 700:1



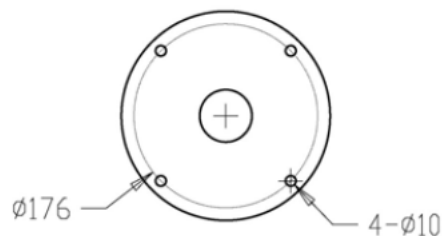
MODELS:

- EE-ML17316EX (316L Stainless Steel)
- EE-ML17304EX (304 Stainless Steel)

DIMENSIONS



MOUNTING SIZE



Av. República Argentina, 50 • 15° andar
 Curitiba PR 80240-210
 Tel: (041) 3342 1600 • Fax: (041) 3244 2200
 vendas@eaglevision.com.br • www.eaglevision.com.br





Powerful Solutions



EagleEyes CCTV

SECURITY SOLUTIONS AND TECHNOLOGIES

Technical Specification Explosion-Proof Monitor

Model	EE-ML17EX
Explosion proof Marking	Exd II BT6/DIP A21 TA,T6
Material	Stainless Steel 304 and 316L
Enclosure protection	IP66
Window depth	15mm
Window measurement	342mm×272mm
Round hole quantity	1
Round hole thread specification	G3/4
Installation method	Vertical display or lifting by a special bracket
Input signal	1vp-p composite video signal
Input Impedance	75Ω
Input interface	Video cable and power supply are the outside
Other inside interface	Analog input 15-lined SUB S-VHS input 4-line mini DIN
Screen dimension	17 inch, TFT
Screen proportion	[4:3]
Spot distance	0.264X0.264
Resolving rate	1280x1024
Illumination	300cdm2
Contrast	[700:1]
Color	16,200 ,000 colors
View angle	176°
Line frequency	31.5~60KHz
Field frequency	56~75Hz no glitter
Input voltage	DC12V
Current	≤4A
Power	50W
Weight	25Kg
Transportation weight	27.3Kg
Outer dimension	424(L) mm×210(W) mm×400mm (H)



Av. República Argentina, 50 • 15° andar
 Curitiba PR 80240-210
 Tel: (041) 3342 1600 • Fax: (041) 3244 2200
 vendas@eaglevision.com.br • www.eaglevision.com.br

